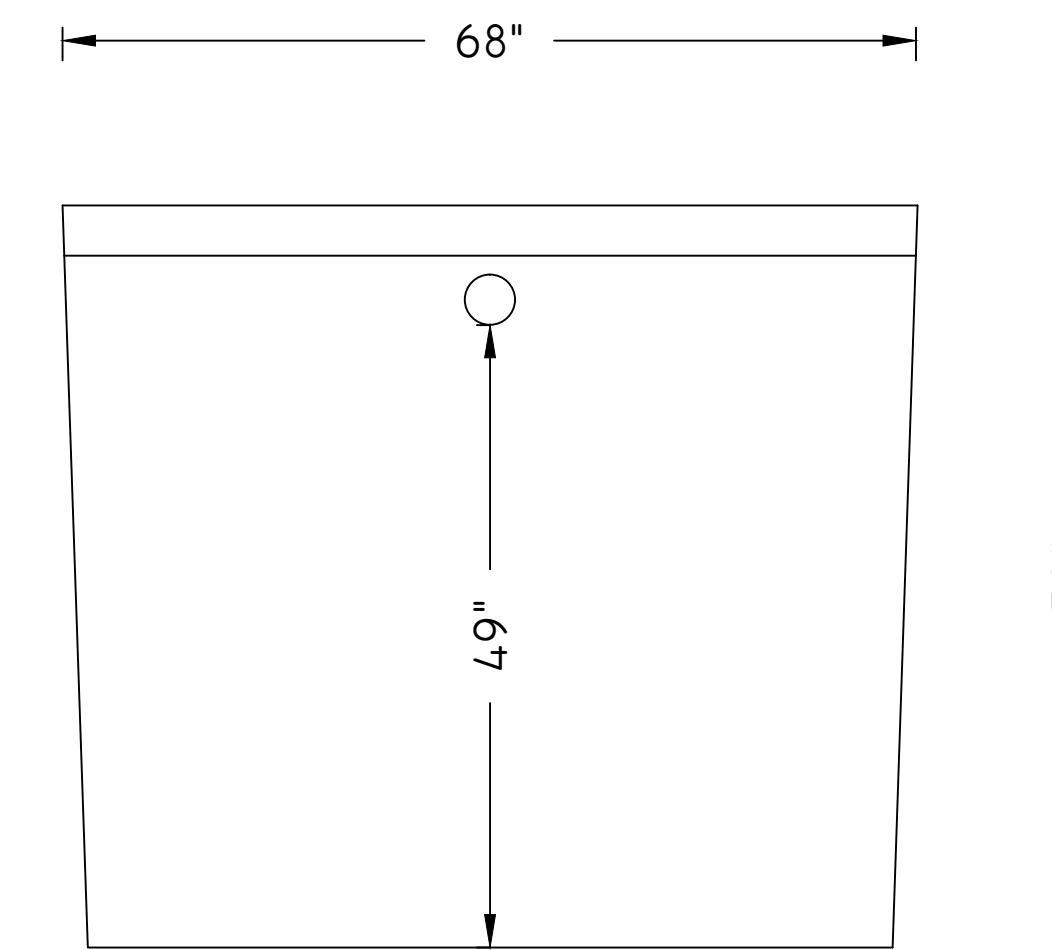
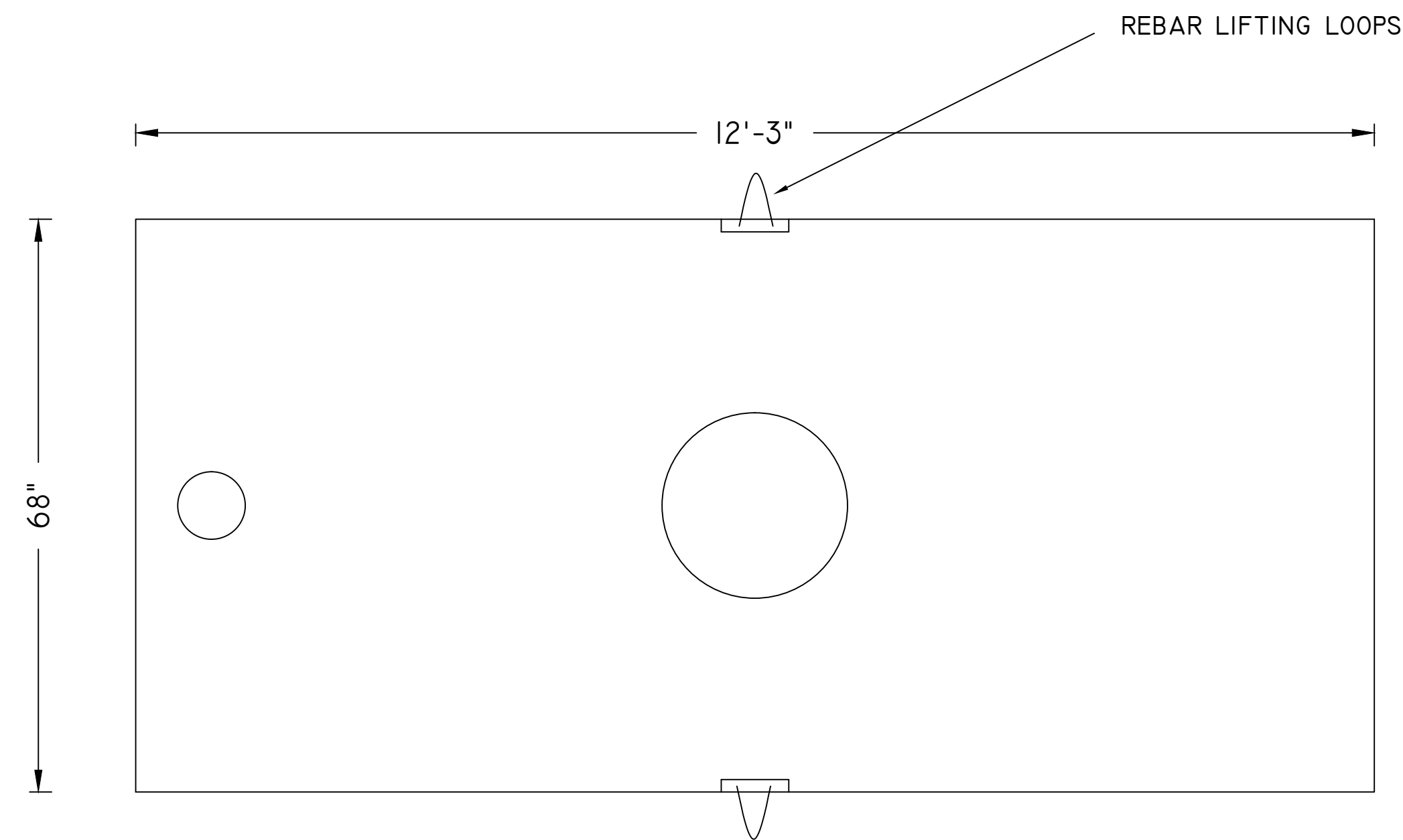


SIDE VIEW



INLET VIEW



TOP VIEW LID

TANK NOTES:

SURFACE AREA AT MID TANK DEPTH 56.95 FT.
 CAPACITY OF TANK TO INLET INVERT 1525 GAL.
 GALLONS PER INCH 35.5 GAL.

RISER NOTES:

STANDARD PUMP TANK INCLUDES A CAST IN PLACE INFILTRATOR / EZ SET POLY RISER EXTENDING 8 INCHES ABOVE THE TOP OF THE TANK. EXTENSIONS CAN BE ADDED ON IN 6 AND 12 INCH INCREMENTS.

TANK CONSTRUCTION

REINFORCEMENT WIRE MESH THROUGHOUT 6X6 10X10
 #4 REBAR IN LID
 5,000 PSI CONCRETE
 CAST IN RUBBER BOOTS IN THE INLET



**1,500 GALLON
 LOW PROFILE PUMP TANK**

DRAWN BY:
TJF

DATE
JULY 21, 2015

SHEET
1 OF 1

12800 SECOND ST, GRANDVIEW MO, 64030
 816-966-8885

WWW.RESIDENTIALSEWAGE.COM